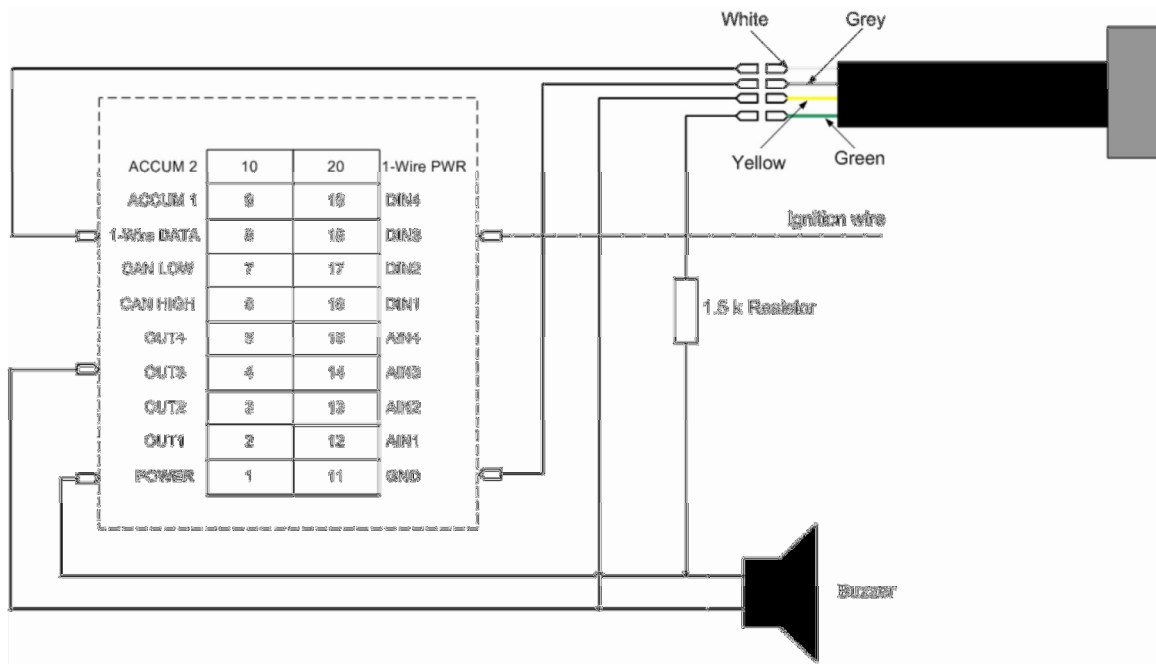




IButton identification with LED and buzzer alarming



Button holder and buzzer are placed close to the steering wheel or on the front panel.

