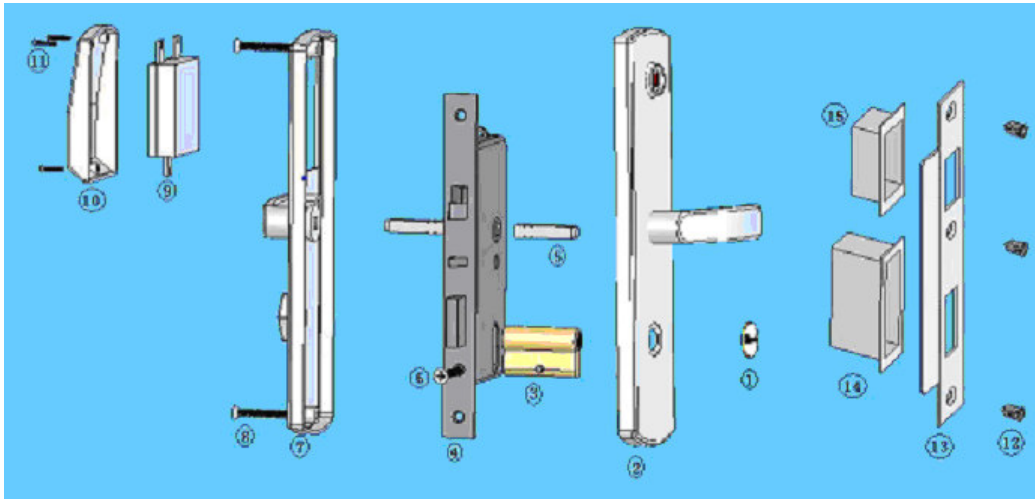


Solar Lock



Lock Assembly



No.	Name	Quantity
1	Logo cover	1
2	Front panel	1
3	Cylinder	1
4	Lock body	1
5	Latch	2
6	Cylinder screw	2
7	Back panel	1
8	Panel screw	2
9	Battery box	1
10	Back cover	1
11	Back cover screw	3
12	Frame screw	3
13	Frame piece	1
14	Big frame box	1
15	Small frame box	1

Operating Instruction

Available Equipment: card locks, management card , keys

Adopting a-SI Solar Cells、 Li-ion battery and special circuit for charging the battery . This lock can very well charge the battery even in weak light condition.

I. Functional illustration:

Management function: This lock can be run by 2 types of cards: Master Card and User Card. The Master Card has the topmost authority. It can open or close the door, setup or delete the User Card. The User card just can open or close the door.

Low Power warning: When the battery power is less than 3.3 VDC, the light of the lock turns green, flashing, with three sounds “DI-DI-DI” upon the card touches the card sensor. In that case, you should change the batteries for there maybe something wrong with the batteries.

II. Operating illustration:

1.Issue a Master Card

Press the small button (card setting button) on the PCB, You will hear one sound like “DI” and see the green light turning on. The green light will last for 5 seconds and then turn off. Within the 5 seconds, make the Master card touch the sensor. If you can hear 3 sounds like “DI—DI—DI—”,that means this operation succeeds and a master card has been set.

NOTICE: A lock is set with a sole master card. When lost, a new master card can be reset according to the above procedure. The previous master card will be deleted. The new master card will replace the old one to manage the user cards.

2. Issue User Card

Make the Master Card touch the card sensor. You will hear a sound “Di” and the light turns green. Touch the sensor with the Master card again before the light turns off until hearing a sound “DU” with the green light flashing. Make the User card approach the sensor, when you hear a sound “DI” ,a User card has been set successfully. You can set more User cards continually before the green light turns off. If the light turns off, it means the lock withdraws from the setting state. A lock just can be set with 255 of User cards. If it gives out three sounds”DU-DU-DU” when setting the User card, it means no more card can be set.

3.Delete a Son Cards.

Make the Master Card touch the card sensor. When you hear a sound “Di” with the green light turning on move the Master card away. Before the green light turns off, touch the sensor with the Master card again until you hear a sound “DU” with the green light flashing. At this time you can put the User card on the sensor, when you hear two sounds “DU-DU” with the light turning red, it means the User card is deleted successfully. You can delete more User cards continually before the green light turns off until all the target User cards are deleted. The lock will withdraw from the deleting state after the green light turns off.

4 Delete all user cards

Make the Master Card touch the card sensor. You hear one sound like “Di” and the green light turns on. Please touch the Master card again before the green lights turn off. And then you can hear another longer “DI” sound and see the green light flashing. The flashing will last 5 seconds. Within 5 seconds, please make the Master Card touch the card sensor and you can hear 3 longer “DI—DI—DI—” sounds. By this operation, all User Cards has been deleted. The deleted User Card will be invalid.

5.Set in Opening Mode

There are 2 ways to set the lock in opening mode. One is touching the valid card. The other is turning round the handle. You can hear one sound like “Di” and see the green light turn on by both operations. The lock is set in opening mode.

6.Set in Closing Mode

There are 2 ways to set the lock in closing mode. One is touching the valid card. The other is pressing the button on the lock. You can hear two sound like “Di” and see the red light turn on by both operations. The lock is set in closing mode.

7 Initialize the lock

Press the small button (Set Card Button) on the PCB for 5 seconds. And then you can hear 3 long “DI—DI—DI—” sounds. By this operation, the lock has been initialized. All valid cards (Master Card , User Card) became invalid and all records were deleted.

III. Cards

1. Master Card 1 pcs
2. User Card 1 pcs

VI. Technology Features:

1. Supply Voltage: DC 3.6V (500mAH Li-ion battery)
2. Standby Current : <3uA
3. Operating Current: 200 mA
4. Operating Temperature: -20°C—70°C
5. Li-ion battery : more than 5 years

Lux	Output Voltage of Solar Battery(V)	Charge current(uA)
300	2.5	150
600	3.0	180
900	3.2	200
1500	3.4	250
2000	3.5	300
20000	3.8	1000